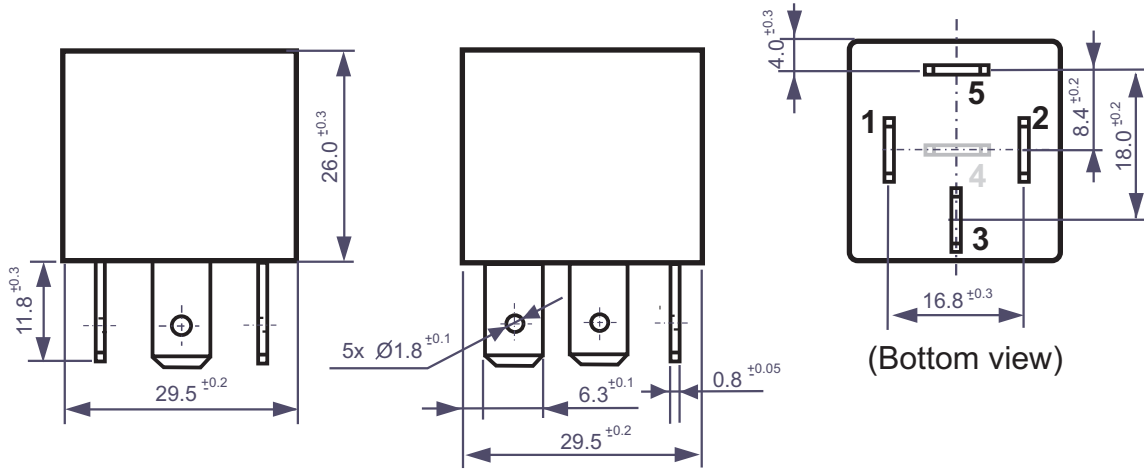
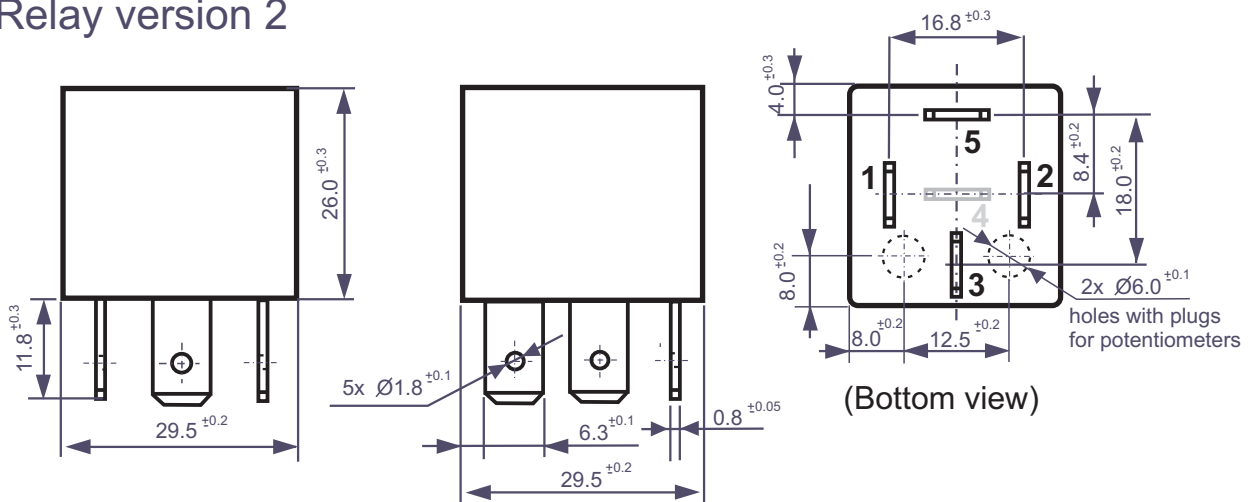


Relay version 1



Relay version 2



socket S (5x 6.3)

